

# Knürr Dacobas 19" Solutions

*19" Racks, System Accessories and Cable Management*



## Knürr Dacobas® 19" Cabinets Strong points



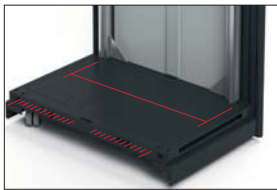
1



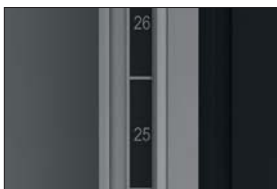
2



3



4



5



6



2

3

1

5

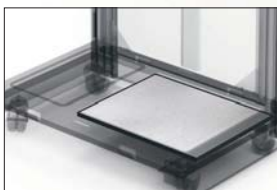
6

7

4

8

9



7



8



9

- 1 Ergonomic locking lever for secure access control
  - 2 Closed top cover, top cover with openings for fan trays or cable entry from above
  - 3 Easily removable and lockable side panels (Key locks on demand)
  - 4 Maximum flexibility grace to adjustable 19" profiles (340 mm - 790 mm in steps of 25 mm)
  - 5 Integrated HU markings show equipment's position in the rack
  - 6 Preperforated cover panels allow for cable entry or closed bottom as required
  - 7 Slot for quick changeable filter cassette
  - 8 Heavy duty twin castors for 300 kg mobile load rating
  - 9 Heavy duty levelling feet for 1000 kg static load rating
- More advantages:**
- Fits seamlessly into a line of Dacobas consoles
  - Choose from aluminium T-slot or steel square hole 19"-profiles
  - Integrated electrical grounding concept according to VDE 0100
  - Knürr T-Slots on all profiles allows to add accessories virtually anywhere
  - Doors:
    - Tempered Safety Glass for protection an visual access
    - Perforated for best aeration
    - Plain steel door for best protection
  - Loads of accessories

## Knürr Dacobas® 19" Cabinets for Components in Accordance with DIN EN 60297-3

### Technical data

#### Material / Finish

- Cabinet extrusions: extruded aluminium, powder-coated texture
- 19" Extrusions: extruded aluminium (T-Slot) or 1,5 mm Sheetsteel square holes
- Top cover, covers and rear door: sheet steel, powder-coated texture
- Top cover and base frame: sheet steel, powder-coated texture, RAL 7021 dark grey
- Plate feet: plastic

#### External dimensions

- Cabinet W600:
- Width 570 (600) mm
  - Depth 870 (900) mm
  - Height 1298 mm - 2187 mm

#### Cabinet W800:

- Width 770 (800) mm
- Depth 870 (900) mm
- Height 1298 mm - 2187 mm

#### Color

- Final digit of order number .1:
- Top cover, covers and rear door: RAL 7035, light-grey
- Cabinet extrusions:
- Final digit of order number .9: RAL 7035, light-grey
- Cabinet extrusions:
- RAL 7021 dark grey

#### Tests

- Earth, VDE 0100

- Upgrade capability in accordance with protection rating IP 40

#### Configuration

- Stationary with levelling feet
- Mobile on double castors

#### Note

- 2 Cabinets can be optionally linked-up via 2 daco posts or directly linked via 1 daco post. With direct linking, the internal side panels are not used.

#### How supplied

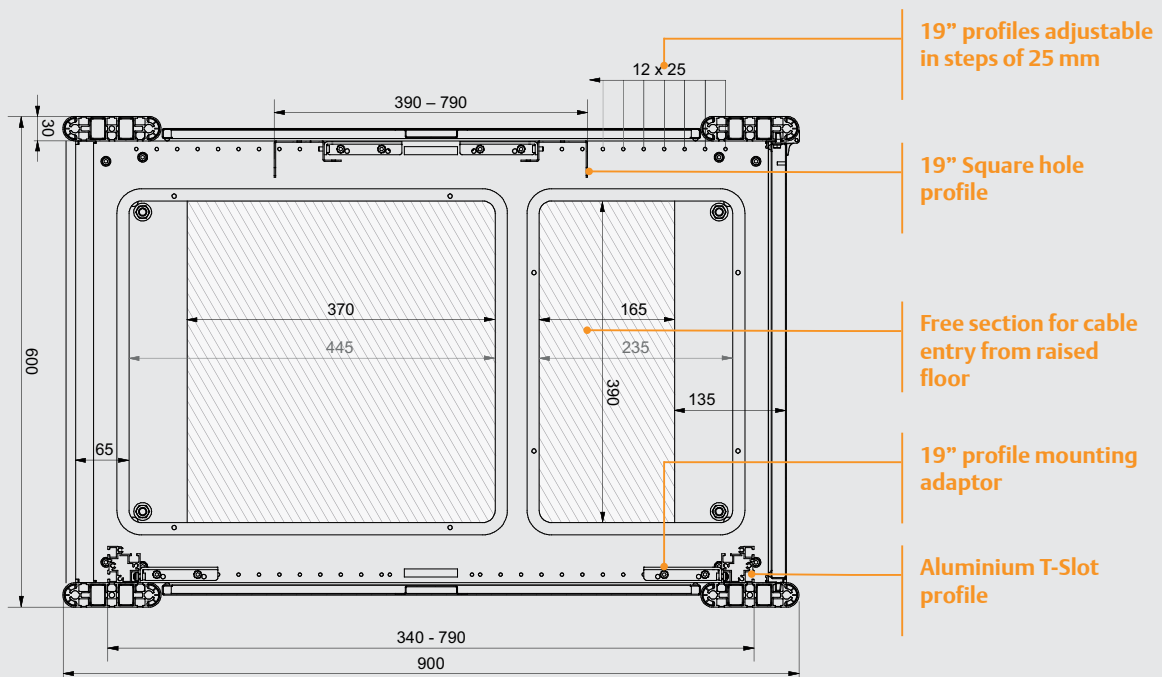
- Fully assembled

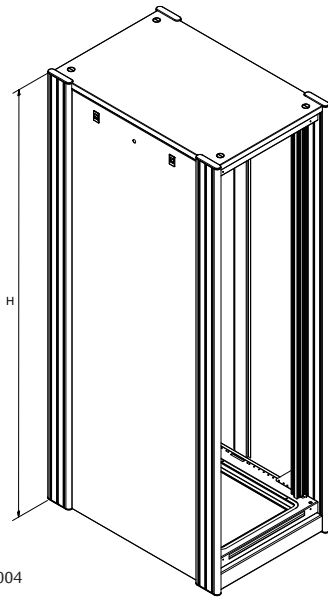
## Knürr Dacobas®-19"-Rack – W600

### 19" Options

- Accepts equipment according to EIA-310 respectively DIN EN 60297-3
- Front and rear 19" profiles are depth adjustable in steps of 25mm
- Selectively with levelling feet or swivel castors
- Lockable doors with perforation, tempered safety glass or plain
- Ships by default with aluminum T-slot

- 19"-profiles, also available with steel square hole 19"-profiles
- 4 x 19"-profiles with HU marking for easy installation of equipment
- Removable top cover and side panels
- Doors can be changed from left to right hand opening
- Max. load: 1000 kg (1to) static, 300 kg mobile





RAC20004

## Knürr Dacobas® 19" Cabinet Type B, Width 600 mm Without front door, D 870 mm

- With fixed 19" mounting on the front and rear for DIN EN 60297-3 compliant components
- Installation of slot-in runners, drawers, pull-out shelves and cable management equipment
- Flexible installation of equipment with T-Slot System

### Load Rating (static)

- 1000 kg with levelling feet
- 300 kg in mobile version

### Color

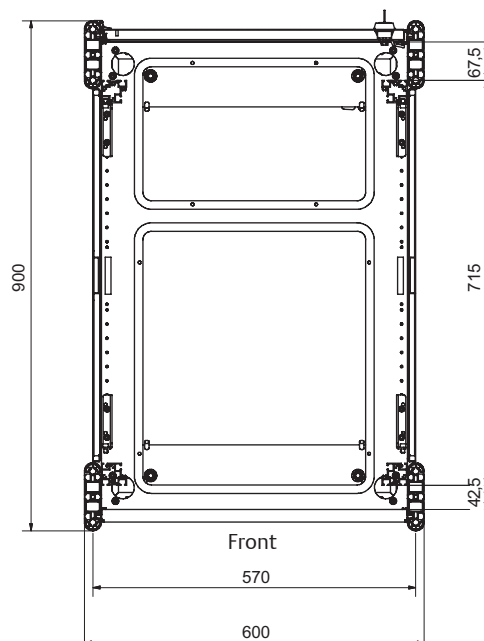
Final digit of order number .1:  
Top cover, covers and rear door:  
RAL 7035, light-grey  
Cabinet extrusions: RAL 5008 grey blue

Final digit of order number .9:  
Top cover, covers and rear door:  
RAL 7035, light-grey  
Cabinet extrusions: RAL 7021 dark grey

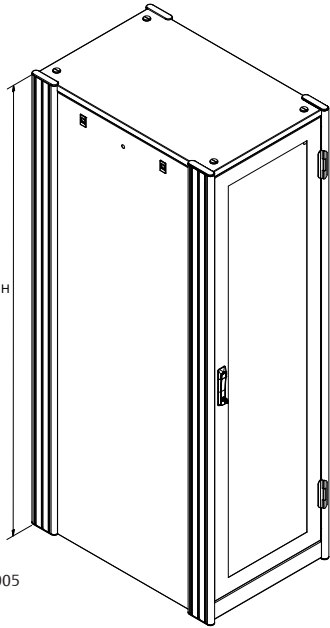
### Supply schedule

- 1 Basic rack with 4 Dacobas Profiles
- 4 19" T-Slot profiles with HU marking
- 2 side panels (removable)
- 1 Top cover, closed
- 1 Rear door, closed, sheet steel, with handle and locking set
- 4 levelling feet (stationary version)
- 4 swivel castors (mobile version)
- 1 Earthing set (VDE 100)

W	H	D	HU/U	L	d	kg	Model	Order no.	UP
600	1298	870	24	1070	715	69	stationary	<b>01.331.000.x</b>	1 unit
600	1431	870	27	1203,3	715	72	stationary	<b>01.331.001.x</b>	1 unit
600	1565	870	30	1336,7	715	76	stationary	<b>01.331.002.x</b>	1 unit
600	1698	870	33	1470	715	82	stationary	<b>01.331.003.x</b>	1 unit
600	1831	870	36	1603,4	715	84	stationary	<b>01.331.004.x</b>	1 unit
600	1965	870	39	1736,7	715	88	stationary	<b>01.331.005.x</b>	1 unit
600	2187	870	44	1959	715	95	stationary	<b>01.331.006.x</b>	1 unit
600	1298	870	24	1070	715	69	mobile	<b>01.331.010.x</b>	1 unit
600	1431	870	27	1203,3	715	72	mobile	<b>01.331.011.x</b>	1 unit
600	1565	870	30	1336,7	715	76	mobile	<b>01.331.012.x</b>	1 unit
600	1698	870	33	1470	715	82	mobile	<b>01.331.013.x</b>	1 unit
600	1831	870	36	1603,4	715	84	mobile	<b>01.331.014.x</b>	1 unit
600	1965	870	39	1736,7	715	88	mobile	<b>01.331.015.x</b>	1 unit
600	2187	870	44	1959	715	95	mobile	<b>01.331.016.x</b>	1 unit



RAC20006



RAC20005

## Knürr Dacobas® 19" Cabinet Type B, Width 600 mm With front door

- With fixed 19" mounting on the front and rear for DIN EN 60297-3 compliant components
- Installation of slot-in runners, drawers, pull-out shelves and cable management equipment.
- Flexible installation of equipment with T-Slot System
- Jumping space at front: 65mm (to door)

### Load Rating (static)

- 1000 kg with levelling feet
- 300 kg in mobile version

### Color

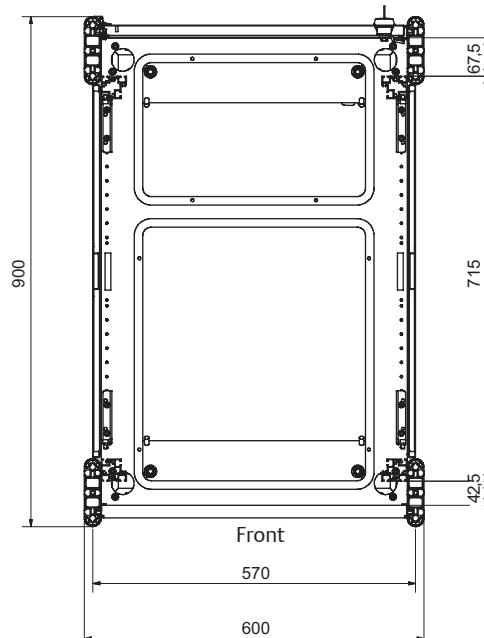
Final digit of order number .1:  
Top cover, covers and rear door:  
RAL 7035, light-grey  
Cabinet extrusions: RAL 5008 grey blue

Final digit of order number .9:  
Top cover, covers and rear door:  
RAL 7035, light-grey  
Cabinet extrusions: RAL 7021 dark grey

### Supply schedule

- 1 Basic rack with 4 Dacobas Profiles
- 4 19" T-Slot profiles with HU marking
- 2 side panels (removable)
- 1 Top cover, closed
- 1 Glass front-door with handle and locking set
- 1 Rear door, closed, sheet steel, with handle and locking set
- 4 levelling feet (stationary version)
- 4 swivel castors (mobile version)
- 1 Earthing set (VDE 100)

W	H	D	HU/U	L	d	kg	Model	Order no.	UP
600	1298	870	24	1070	715	75,5	stationary	01.331.040.x	1 unit
600	1431	870	27	1203,3	715	79,5	stationary	01.331.041.x	1 unit
600	1565	870	30	1336,7	715	84	stationary	01.331.042.x	1 unit
600	1698	870	33	1470	715	90,5	stationary	01.331.043.x	1 unit
600	1831	870	36	1603,4	715	93,5	stationary	01.331.044.x	1 unit
600	1965	870	39	1736,7	715	98	stationary	01.331.045.x	1 unit
600	2187	870	44	1959	715	106	stationary	01.331.046.x	1 unit
600	1298	870	24	1070	715	75,5	mobile	01.331.050.x	1 unit
600	1431	870	27	1203,3	715	79,5	mobile	01.331.051.x	1 unit
600	1565	870	30	1336,7	715	84	mobile	01.331.052.x	1 unit
600	1698	870	33	1470	715	90,5	mobile	01.331.053.x	1 unit
600	1831	870	36	1603,4	715	93,5	mobile	01.331.054.x	1 unit
600	1965	870	39	1736,7	715	98	mobile	01.331.055.x	1 unit
600	2187	870	44	1959	715	106	mobile	01.331.056.x	1 unit

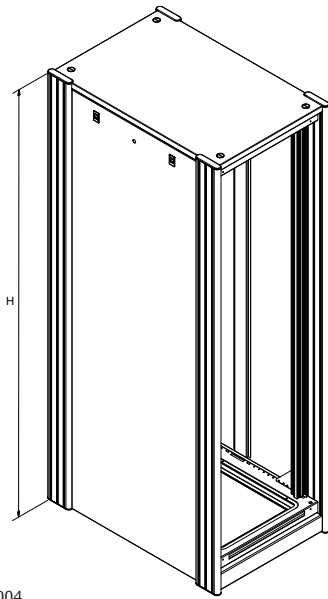


RAC20006

Dimensions in mm: W= Width  
H = Height  
D = Depth  
h = Installation height  
d = Useful depth  
L = Length

HU = Standard height unit, 1 HU = 44.45 mm  
19" = 482.6 mm,  
UP = Unit of packaging

Conversion: 1 inch = 25,4 mm  
Replace „x“ with the number of your color choice



RAC20004

## Knürr Dacobas® 19" Cabinet Type C, Width 600 mm Without front door, D 870 mm

- With fixed 19" mounting on the front and rear for DIN EN 60297-3 compliant components
- Installation of slot-in runners, drawers, pull-out shelves and cable management equipment
- Flexible installation of equipment with T-Slot System

### Load Rating (static)

- 1000 kg with levelling feet
- 300 kg in mobile version

### Color

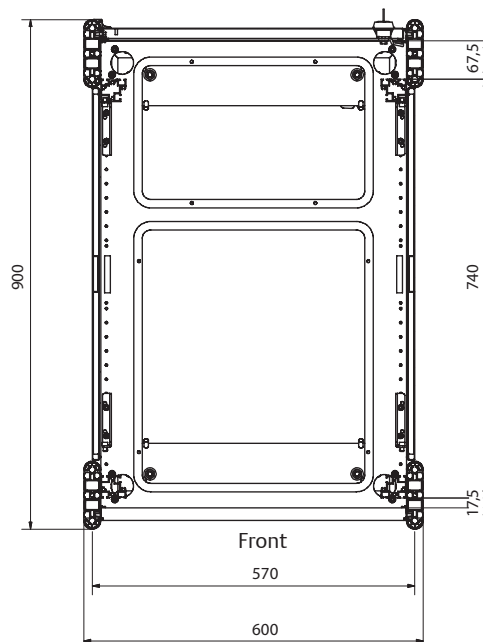
Final digit of order number .1:  
Top cover, covers and rear door:  
RAL 7035, light-grey  
Cabinet extrusions: RAL 5008 grey blue

Final digit of order number .9:  
Top cover, covers and rear door:  
RAL 7035, light-grey  
Cabinet extrusions: RAL 7021 dark grey

### Supply schedule

- 1 Basic rack with 4 Dacobas Profiles
- 4 19" T-Slot profiles with HU marking
- 2 side panels (removable)
- 1 Top cover, closed
- 1 Rear door, closed, sheet steel, with handle and locking set
- 4 levelling feet (stationary version)
- 4 swivel castors (mobile version)
- 1 Earthing set (VDE 100)

W	H	D	HU/U	L	d	kg	Model	Order no.	UP
600	1298	870	24	1070	740	69	stationary	01.331.020.x	1 unit
600	1431	870	27	1203,3	740	72	stationary	01.331.021.x	1 unit
600	1565	870	30	1336,7	740	76	stationary	01.331.022.x	1 unit
600	1698	870	33	1470	740	82	stationary	01.331.023.x	1 unit
600	1831	870	36	1603,4	740	84	stationary	01.331.024.x	1 unit
600	1965	870	39	1736,7	740	88	stationary	01.331.025.x	1 unit
600	2187	870	44	1959	740	95	stationary	01.331.026.x	1 unit
600	1298	870	24	1070	740	69	mobile	01.331.030.x	1 unit
600	1431	870	27	1203,3	740	72	mobile	01.331.031.x	1 unit
600	1565	870	30	1336,7	740	76	mobile	01.331.032.x	1 unit
600	1698	870	33	1470	740	82	mobile	01.331.033.x	1 unit
600	1831	870	36	1603,4	740	84	mobile	01.331.034.x	1 unit
600	1965	870	39	1736,7	740	88	mobile	01.331.035.x	1 unit
600	2187	870	44	1959	740	95	mobile	01.331.036.x	1 unit



RAC20007

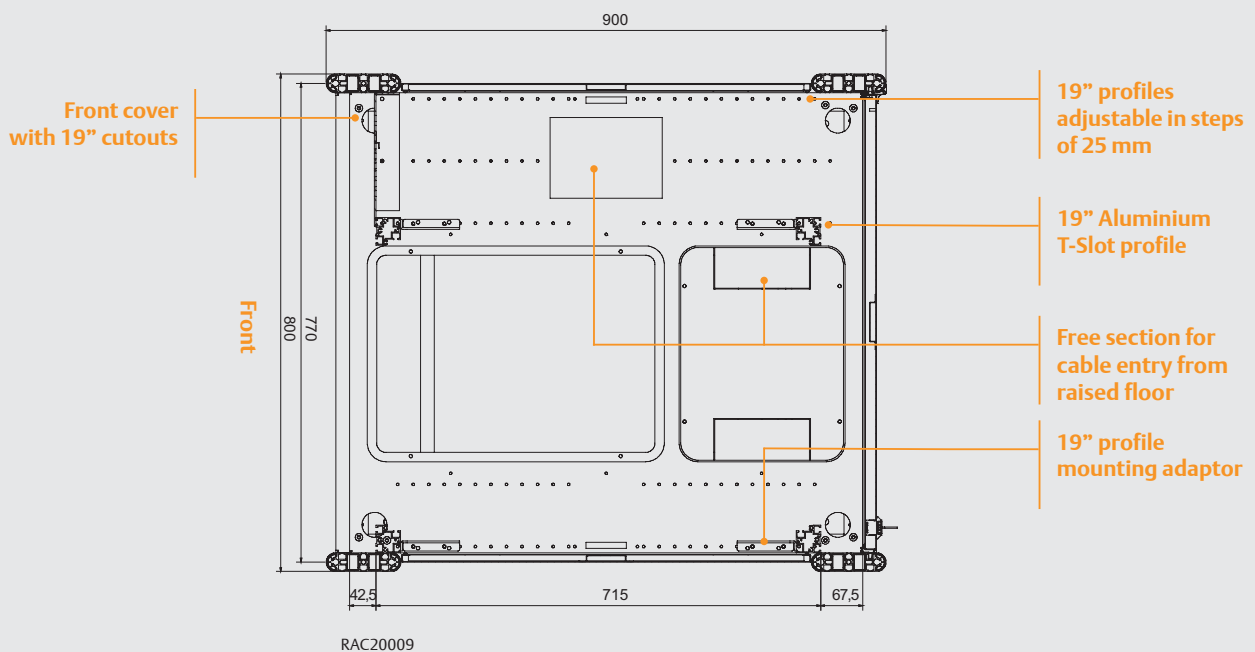
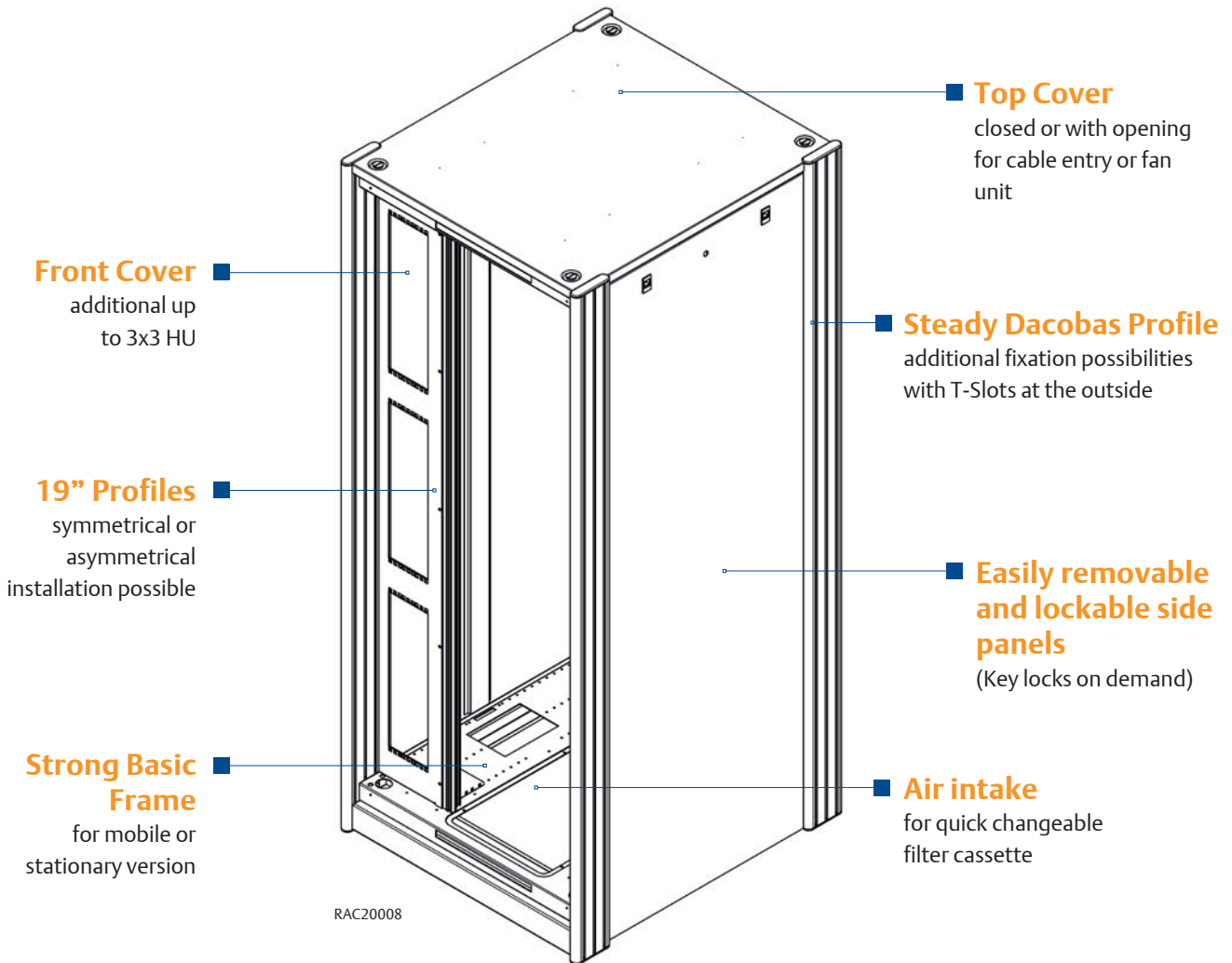
Dimensions in mm: W = Width  
H = Height  
D = Depth  
h = Installation height  
d = Useful depth  
L = Length

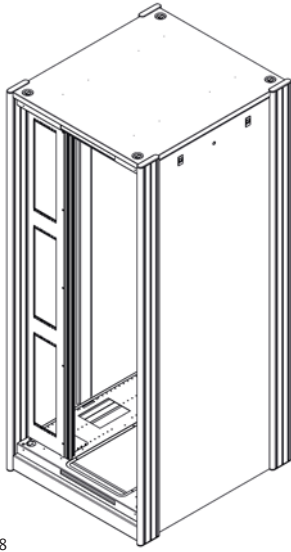
HU = Standard height unit, 1 HU = 44.45 mm  
19" = 482.6 mm,  
UP = Unit of packaging

Conversion: 1 inch = 25,4 mm  
1 pound = 453,6 g  
Replace „x“ with the number of your color choice

# Knürr Dacobas®-19" Cabinet – W 800

## 19" Options





RAC20008

## Knürr Dacobas® 19" Cabinet Type B, Width 800 mm Without front door, D 870 mm

- With fixed 19" mounting on the front and rear for DIN EN 60297-3 compliant components
- Asymmetrical installation of 19" profiles (19" field on the right side) optional on the left side or in the center
- additional up to 3x3 HU 19" installation space in the vertical front cover
- Installation of slot-in runners, drawers, pull-out shelves and cable management equipment
- Flexible installation of equipment with T-Slot System

### Load Rating (static)

- 1000 kg with levelling feet
- 300 kg in mobile version

### Color

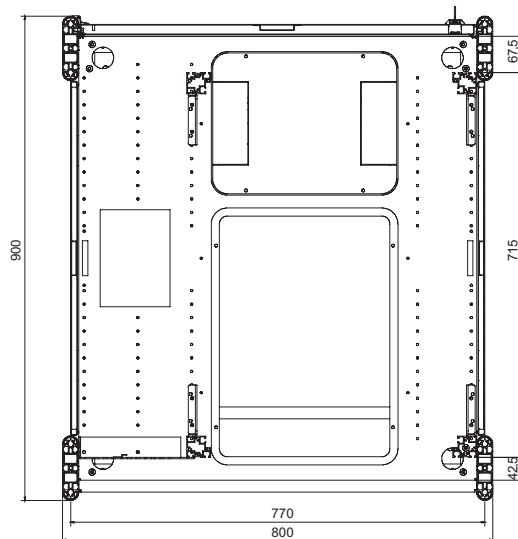
- Final digit of order number .1:  
Top cover, covers and rear door:

RAL 7035, light-grey  
Cabinet extrusions: RAL 5008 grey blue  
Final digit of order number .9:  
Top cover, covers and rear door:  
RAL 7035, light-grey  
Cabinet extrusions: RAL 7021 dark grey

### Supply schedule

- 1 Basic rack with 4 Dacobas Profiles
- 4 19" T-Slot profiles with HU marking
- 1 Front cover with 3x3 HU additional space
- 2 side panels (removable)
- 1 Top cover, closed
- 1 Rear door, closed, sheet steel, with handle and locking set
- 4 levelling feet (stationary version)
- 4 swivel castors (mobile version)
- 1 Earthing set (VDE 100)

W	H	D	HU/U	L	d	kg	Model	Order no.	UP
800	1298	870	24	1070	715	88	stationary	01.331.060.x	1 unit
800	1431	870	27	1203,3	715	92	stationary	01.331.061.x	1 unit
800	1565	870	30	1336,7	715	96	stationary	01.331.062.x	1 unit
800	1698	870	33	1470	715	100	stationary	01.331.063.x	1 unit
800	1831	870	36	1603,4	715	105	stationary	01.331.064.x	1 unit
800	1965	870	39	1736,7	715	111	stationary	01.331.065.x	1 unit
800	2187	870	44	1959	715	119	stationary	01.331.066.x	1 unit
800	1298	870	24	1070	715	88	mobile	01.331.070.x	1 unit
800	1431	870	27	1203,3	715	92	mobile	01.331.071.x	1 unit
800	1565	870	30	1336,7	715	96	mobile	01.331.072.x	1 unit
800	1698	870	33	1470	715	100	mobile	01.331.073.x	1 unit
800	1831	870	36	1603,4	715	105	mobile	01.331.074.x	1 unit
800	1965	870	39	1736,7	715	111	mobile	01.331.075.x	1 unit
800	2187	870	44	1959	715	119	mobile	01.331.076.x	1 unit



RAC20009

Front

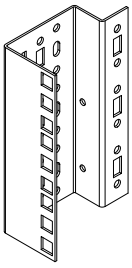
Dimensions in mm: W= Width  
H = Height  
D = Depth  
h = Installation height  
d = Useful depth  
L = Length

HU = Standard height unit, 1 HU = 44.45 mm  
19" = 482.6 mm,  
UP = Unit of packaging

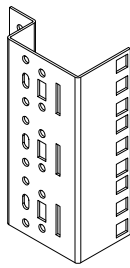
Conversion: 1 inch = 25,4 mm  
1 pound = 453,6 g

Replace „x“ with the number of your color choice





RAC20010



Square hole

## 19" Square Hole Profiles for installation in the rack at the front and rear side

cage nut mounting in HU pattern (19")

**Material**  
Sheet Steel 1,5mm, galvanized

**Supply Schedule**  
2 19" square hole profiles

**Note**  
Please order mounting material separately (if required)

HU	Order no.	UP
24	01.331.260.9	1 unit
27	01.331.261.9	1 unit
30	01.331.262.9	1 unit
33	01.331.263.9	1 unit
36	01.331.264.9	1 unit
39	01.331.265.9	1 unit
44	01.331.266.9	1 unit



LUF20337

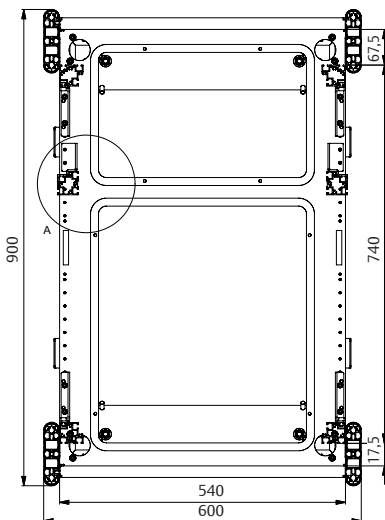
## HU Tape Measure

– For sticking on 19" extrusions  
– Enables fast component positioning at the correct U position

– Standard length, 48 U; shorten as required

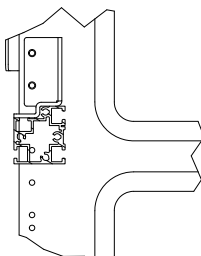
**Supply Schedule**  
1 x tape measure

HU	Order no.	UP
48	01.128.400.9	1 unit



RAC20011

A (Detail)



## Second Mounting Level

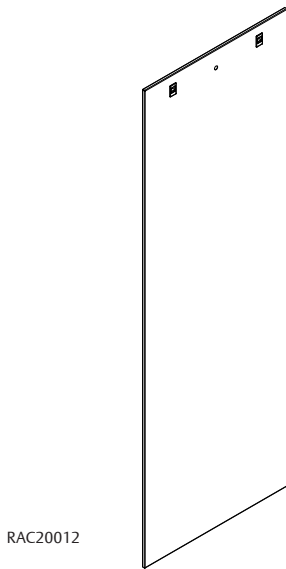
For mounting electric components, front panels and mounting panels

**Material**  
19" Mounting level of extruded aluminium

**Supply schedule**  
– 2 19" Mounting extrusions with T-slot  
– Mounting material

**How supplied**  
Flat-packed kit

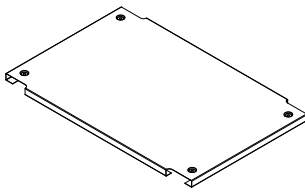
HU/U	h	Order no.	UP
24	1070,0	01.331.250.9	1 set
27	1203,3	01.331.251.9	1 set
30	1336,7	01.331.252.9	1 set
33	1470,0	01.331.253.9	1 set
36	1603,4	01.331.254.9	1 set
39	1736,7	01.331.255.9	1 set
44	1959,4	01.331.256.9	1 set



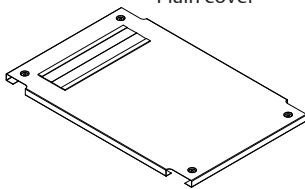
RAC20012

## Side Panel

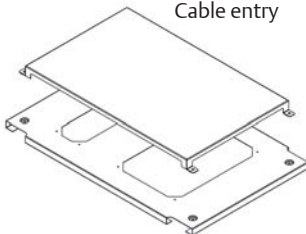
D	HU	Order no.	UP
870	24	01.331.300.1	1 unit
870	27	01.331.301.1	1 unit
870	30	01.331.302.1	1 unit
870	33	01.331.303.1	1 unit
870	36	01.331.304.1	1 unit
870	39	01.331.305.1	1 unit
870	44	01.331.306.1	1 unit



Plain cover



Cable entry



Ventilation dome

RAC20013

## Top Cover

### Plain cover, with cable entry, ventilation dome

- Top cover compatible with Knürr Dacobas® 19" cabinet, depth 870 mm
- Standard accessory or retro fit

- Material / Finish**  
Sheet steel, powder-coated texture

- Color**  
Top cover, RAL 7035 light-grey

- Supply schedule**
  - 1 Top cover
  - Mounting material
- Only for version with cable entry:**
  - Cable entry
- Only for version with ventilation dome:**
  - Ventilation dome

- How supplied**  
Pre-assembled

W	H	D	Model	Order no.	UP
600			Plain cover	01.331.110.1	1 unit
600			Cable entry	01.331.111.1	1 unit
600			Ventilation Dome	01.331.112.1	1 unit
800			Plain cover	01.331.116.1	1 unit
800			Cable entry	01.331.117.1	1 unit
800			Ventilation Dome	01.331.118.1	1 unit

Dimensions in mm: W= Width  
 H = Height  
 D = Depth  
 h = Installation height  
 d = Useful depth  
 L = Length

HU = Standard height unit, 1 HU = 44.45 mm  
 19" = 482.6 mm,  
 UP = Unit of packaging

Conversion: 1 inch = 25,4 mm  
 1 pound = 453,6 g

Replace „x“ with the number of your color choice



RAC20014

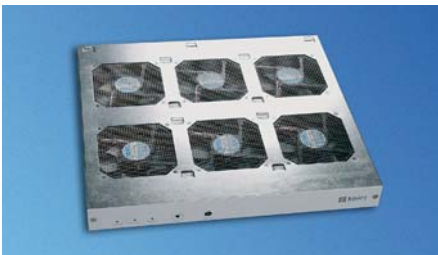
## Cover Plate for Basic Frame (front)

- To close the front side opening of the basic frame at racks without front door

W	Order no.	UP
600	01.331.122.9	1 unit
800	01.331.123.9	1 unit



LUF20160



LUF20161

## Knürr CoolBlast® Fan Unit for Top Cover Installation Constant, thermostat, controlled

- For forced rack cooling
- Suitable for installation at any time in the top cover with ventilation dome
- DC version on request

### Only for controlled version:

- Settable reference temperature (20° to 55°C)
- Speed control, 30 to 100%, with sensor break 100% rotation
- Individual fan monitoring
- Floating common alarm output for excess temperature alarm and fan failure
- Optical status display for O.K., excess temperature and fan failure
- Acoustic warning incl. reset button

### Material

Housing: Sheet steel, high-grade steel grid

### Finish

Zinc-passivated  
Only for controlled version:  
front panel, powder-coated,  
RAL 7035 light gray

### Characteristic curve for controlled version see below left

### Electrical supply

207...253 VAC; 50/60 Hz

### Supply schedule

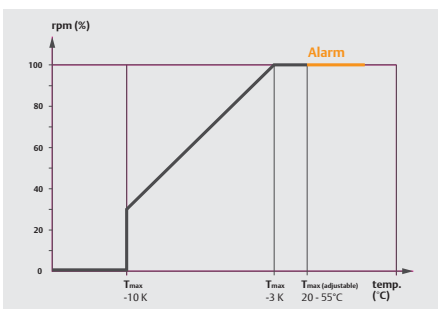
- 1 CoolBlast fan unit®
  - 1 mains cable, 3 m with safety plug (230 VAC)
  - Mounting material
  - Operating instructions
- Only for controlled version:
- 1 sensor cable, 2 m (plug-in)
  - 1 signal cable, 2 m (plug-in)

### How supplied

Assembled, wired and tested

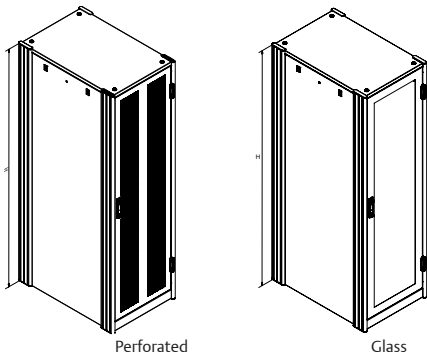
### Note

If applicable please order country specific mains cable



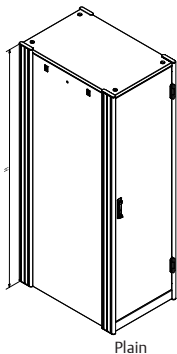
LUF20179

Name	Version	P(W)	$\dot{V}$ (m³/h)	$\Delta P$ (Pa)	p(dB(A))	Order no.	UP
CoolBlastT 230V 3-fan	constant	45	495	74	45,2	03.027.301.1	1 unit
CoolBlastT 230V 6-fan	constant	90	990	74	48,8	03.027.302.1	1 unit
CoolBlastT 230V 2-fan	thermostat	30	330	74	43,4	03.027.310.1	1 unit
CoolBlastT 230V 3-fan	thermostat	45	495	74	45,2	03.027.311.1	1 unit
CoolBlastT 230V 6-fan	thermostat	90	990	74	48,8	03.027.312.1	1 unit
CoolBlastT 230V 3-fan	controlled SP	25	1106	68	49,6	03.027.321.1	1 unit
CoolBlastT 230V 6-fan	controlled SP	48	506	68	53,3	03.027.322.1	1 unit
CoolBlastT 230V 3-fan	controlled HP	32	711	173	55,8	03.027.324.1	1 unit
CoolBlastT 230V 6-fan	controlled HP	62	1422	173	59,1	03.027.325.1	1 unit



Perforated

Glass



Plain

RAC20015

## Doors for Dacobas® 19" Cabinet

- Door comes with ergonomic and lockable locking lever
- Available versions:
  - Plain door
  - Perforated door
  - Glass door (tempered safety glass)
- For installation before shipment or retrofit

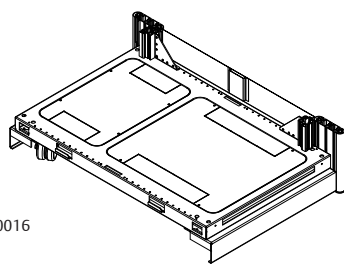
### Material / Surface

- Door: sheet steel, powdercoated texture RAL 7035 light grey
- Hinges: plastic, RAL 7021 dark grey
- Glass door: Temperature safety glass
- Thickness: 6 mm

### Supply schedule

- 1 door (plain, perforated or glass)
- 2 hinges
- Mounting material

W	HU	Plain	Perforated	Glass	UP
600	24	01.331.200.1	01.331.210.1	01.331.220.1	1 unit
600	27	01.331.201.1	01.331.211.1	01.331.221.1	1 unit
600	30	01.331.202.1	01.331.212.1	01.331.222.1	1 unit
600	33	01.331.203.1	01.331.213.1	01.331.223.1	1 unit
600	36	01.331.204.1	01.331.214.1	01.331.224.1	1 unit
600	39	01.331.205.1	01.331.215.1	01.331.225.1	1 unit
600	44	01.331.206.1	01.331.216.1	01.331.226.1	1 unit
800	24	01.331.190.1	01.331.230.1	01.331.240.1	1 unit
800	27	01.331.191.1	01.331.231.1	01.331.241.1	1 unit
800	30	01.331.192.1	01.331.232.1	01.331.242.1	1 unit
800	33	01.331.193.1	01.331.233.1	01.331.243.1	1 unit
800	36	01.331.194.1	01.331.234.1	01.331.244.1	1 unit
800	39	01.331.195.1	01.331.235.1	01.331.245.1	1 unit
800	44	01.331.196.1	01.331.236.1	01.331.246.1	1 unit



RAC20016

## Bottom Cover with Cable Entry Plain cover, preperforated cut outs for cable entry

- For installation in Dacobas 19" cabinets
- Ships as plain covers
- To allow cable entry, preperforated cut outs can be removed manually

### Supply schedule

- 1 Front cover
- 1 Rear cover
- Mounting material

### Finish / Color

- Bottom cover: sheet steel, powder-coated texture, RAL 9011, graphite black

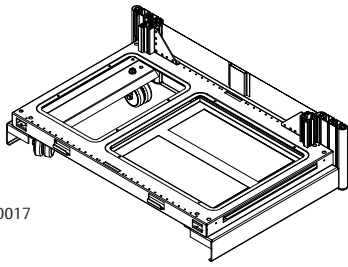
### How supplied

- Flat-packed kit

W	Order no.	UP
600	01.331.125.9	1 set
800	01.331.124.9	1 set

Dimensions in mm: W = Width  
 H = Height  
 D = Depth  
 h = Installation height  
 d = Useful depth  
 L = Length  
 HU = Standard height unit, 1 HU = 44.45 mm  
 19" = 482.6 mm,  
 UP = Unit of packaging

Conversion: 1 inch = 25,4 mm  
 1 pound = 453,6 g  
 Replace „x“ with the number of your color choice



RAC20017

## Bottom Cover with Filter Cassette

### Filter cassette with rails

- For installation in Dacobas 19" cabinets
- Filters intake air
- Comfortably removable also with occupied lowest HU
- For installation at rack's front

#### Supply schedule

- 1 Slide filter cassette
- 1 Filter mat
- 1 Rear cover
- 1 Pair of slide in rails
- Mounting material

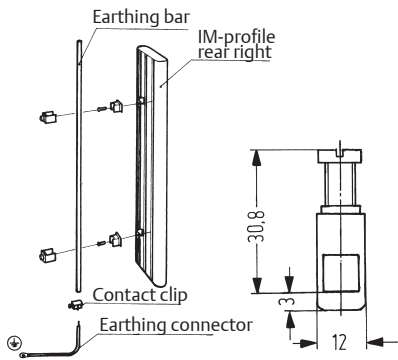
#### Finish / Color

Air filter frame: sheet steel, powder-coated-texture, RAL 9011 graphite black

#### How supplied

Flat-packed kit

Name	W	Order no.	UP
Slide in filter Cassette	600	01.331.120.9	1 set
Slide in filter Cassette	800	01.331.121.9	1 set
Replacement Filter Mat		01.350.140.9	1 unit



Contact clip

DAC00453

## Earthing Accessories

### for Dacobas 19" rack

#### Material

Electrolytic copper

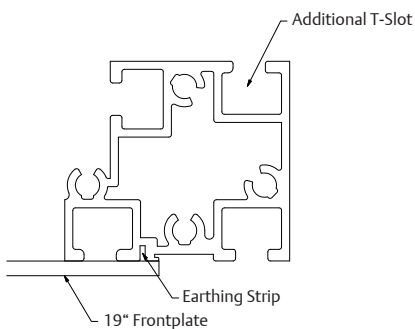
#### Supply schedule Earthing bar

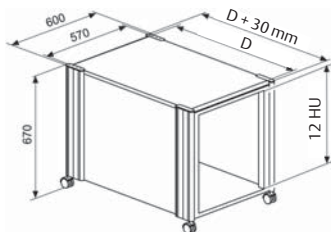
- 1 Earth bar
- 3 Spring nuts, M5
- 3 Oval head screws, M5
- 3 Retaining clamps for earth bar
- 2 Earth strips for front panels
- 1 Contact clip
- 1 Earth connection

#### Supply schedule Earthing kit

- 2 Earthing bolts M8x25
- Earthing cables for top cover and side panels

Name	HU/U	L	Order no.	UP
Earthing bar	24	1064	01.322.090.9	1 set
Earthing bar	27	1197	01.322.091.9	1 set
Earthing bar	30	1331	01.322.092.9	1 set
Earthing bar	33	1465	01.322.093.9	1 set
Earthing bar	36	1597	01.322.094.9	1 set
Earthing bar	39	1731	01.322.095.9	1 set
Contact clip			04.000.125.7	20 pcs
Earthing kit			01.331.134.7	1 set





DAC00419

## 19" Mobile Cabinet

- For 19" components
- Rear and side panels removable
- Rear panel with vent slots
- ESD version for discharging electrostatic charges

### Material / Finish

- Frame and covers: sheet steel
- Castor coating: black

### Color combination

- Final digit of order number .1:
- Worktop, rear panel and covers, RAL 7035 light-grey

- Top and bottom cover: RAL 9011, graphite black
- Extrusions: RAL 5008, grey blue

### Load rating

1600 N static

### Tests

IEC 61 340-5-1

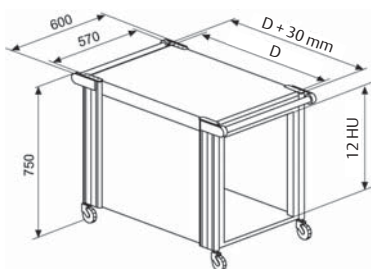
### Supply schedule

1 Mobile cabinet

### How supplied

Assembled

D	d	ESD	Order no.	UP
670	566,5		01.306.009.1	1 unit
870	766,5		01.306.010.1	1 unit
870	766,5	•	01.366.010.1	1 unit



DAC00418

## 19" Laboratory Trolley

- For 19" components
- Rear and side panels removable
- Rear panel with vent slots
- ESD version for discharging electrostatic charges

### Material / Finish

- Frame and covers: sheet steel
- Castor coating: black
- Handle: extruded aluminium, smooth

### Color combination

- Final digit of order number .1:
- Worktop, rear panel and covers: RAL 7035 light-grey
- Top and bottom cover: RAL 9011, graphite black
- Extrusions: RAL 5008, grey blue

### Tests

IEC 340-5-1

### Supply schedule

1 Laboratory trolley

D	d	ESD	Order no.	UP
670	566,5		01.306.013.1	1 unit
870	766,5		01.306.014.1	1 unit
870	766,5	•	01.366.014.1	1 unit



DAC00483

## Doors 12 HU

Lockable, for 19" pedestal

### Finish

- Acryl Glass:
- Frame, black, anodised
- Plexiglass, umbra 802

Closed door:

- Sheet steel, powder coated RAL7035

### Supply schedule

- 1 Door
- 2 Stopper extrusions
- Mounting material

Model	Order no.	UP
Acryl glass door	01.322.050.9	1 unit
Steel door, closed	01.322.130.1	1 unit

Dimensions in mm: W= Width  
H = Height  
D = Depth  
h = Installation height  
d = Useful depth  
L = Length

HU = Standard height unit, 1 HU = 44.45 mm  
19" = 482.6 mm,  
UP = Unit of packaging

Conversion: 1 inch = 25,4 mm  
1 pound = 453,6 g

Replace „x“ with the number of your color choice



RAC20018

## 19" -Chassis Runners for Knürr Dacobas®

- For installation in 19" racks with vertical profiles in the front and rear
- Reliable mounting system for 19" slide in equipment

**Load Rating (static)**  
70 kg per pair with evenly distributed load

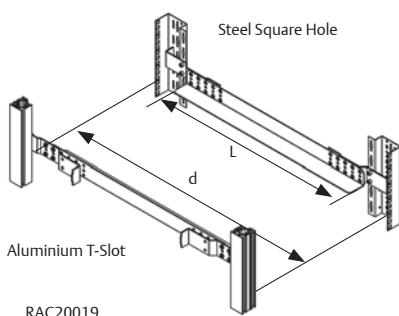
**Material**  
Extruded aluminum profile

**Surface**  
blank

**Supply schedule**  
- 2 chassis runners  
- Mounting material

**How supplied**  
by batches

Model	Installation depth	Order no.	UP
for 19" Rack D670 Type B	515 / 518 mm	<b>01.350.910.9</b>	1 Set
for 19" Rack D670 Type C	565 / 566,5 mm	<b>01.350.909.9</b>	1 Set
for 19" Rack D870 Type B	715 / 718 mm	<b>01.350.912.9</b>	1 Set
for 19" Rack D870 Type C	765 / 766,5 mm	<b>01.350.911.9</b>	1 Set
for 19" Rack D870 Type C	740 mm	<b>01.350.915.9</b>	1 Set



RAC20019

## 19"-Chassis Runners for Dacobas-Rack, adjustable

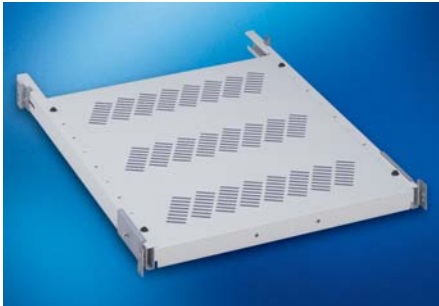
- For Dacobas®-Rack
- Reliable mounting system for 19" slide in equipment
- Comfortably adjustable across 100 mm
- Mounting adaptors for installation with aluminium T-slot, steel square hole or both
- Required for all large and heavy equipment
- Max load of 500N per pair with evenly distributed load

**Material**  
Sheet steel, stamped

**Finish**  
Zincated

**Supply schedule**  
- 2 Chassis runners (chose correct length!)  
- 4 Mounting adaptors (T-Slot, Square Hole or both)  
- Mounting material

d	L	Model	Order no.	UP
390 - 490	300	T-Slot	01.350.971.9	1 set
490 - 590	400	T-Slot	01.350.972.9	1 set
590 - 690	500	T-Slot	01.350.973.9	1 set
690 - 790	600	T-Slot	01.350.974.9	1 set
390 - 490	300	Square Hole	01.350.981.9	1 set
490 - 590	400	Square Hole	01.350.982.9	1 set
590 - 690	500	Square Hole	01.350.983.9	1 set
690 - 790	600	Square Hole	01.350.984.9	1 set



MEC00451

## 19" Shelf, Fixed

- Ideal adaptation to special applications (high rear space requirement for cable routing, large usable size) through positioning of the extension boards in 50 mm increments
- Integrated mounting bore holes front and rear for handle or hinged cable routing
- With perforation to optimise air supply

**Load rating**  
50 kg (static)

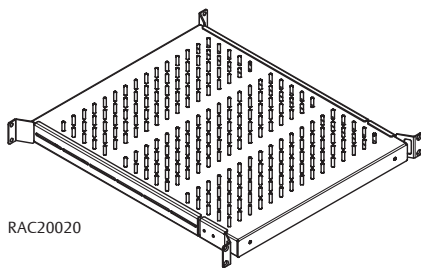
**Material / Finish**  
Sheet steel 1.0 mm, electroplated with zinc, powder-coated texture

**Color**  
RAL 7035 light-grey

**Supply schedule**  
- 1 Shelf board  
- 1 Extension board (from depth 600 mm)  
- 2 Carrier rails, incl. mounting bracket  
- Mounting material

**How supplied**  
Flat packed

W	H	D	d	Order no.	UP
430		300	365 - 390	01.102.001.1	1 set
430		300	415 - 490	01.102.002.1	1 set
430		500	515 - 590	01.102.003.1	1 set
430		600	615 - 690	01.102.004.1	1 set
430		600	715 - 790	01.102.005.1	1 set



RAC20020

## 19" Shelf, Fixed, Heavy Duty

- For installation in 19" racks with vertical profiles in the front and rear
- With perforation to optimise air supply

**Dimensions**  
- Usable width: 408 mm  
- Height: 1 HU  
- Usable depth: 500mm

**Material**  
Sheet steel 1mm, powder coated

**Color**  
RAL7035 light grey

**Installation depth**  
515 – 766,5 mm

**Supply schedule**  
- 1 shelf  
- 1 pair of mounting adapters  
- Mounting material

**How supplied**  
pre-assembled

Item	Max. Load	d	Order no.	UP
19" Shelf, fixed	100 kg	515 – 766,5	01.350.930.1	1 set

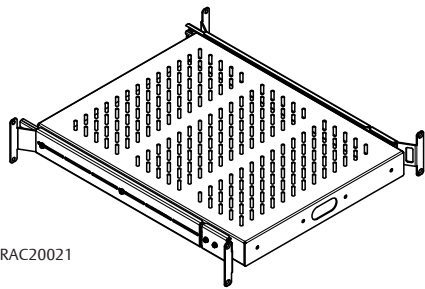
Dimensions in mm: W= Width  
H = Height  
D = Depth  
h = Installation height  
d = Useful depth  
L = Length

HU = Standard height unit, 1 HU = 44.45 mm  
19" = 482.6 mm,  
UP = Unit of packaging

Conversion: 1 inch = 25,4 mm  
1 pound = 453,6 g

Replace „x“ with the number of your color choice





RAC20021

## 19" Shelf, Fully Retractable

- For installation in 19" racks with vertical profiles in the front and rear
- Fully retractable with „auto-hold“
- Usable as shelf and as tray
- With perforation to optimise air supply
- Tool-less removable

### ■ Dimensions

- Usable width: 383 mm
- Height: 2 HU
- Usable depth: 500mm

### ■ Material

Shelf, sheet steel 1,0mm powder coated

### ■ Color

RAL7035 light grey

### ■ Installation depth

515 – 766,5 mm

### ■ Supply schedule

- 1 shelf
- 1 Pair of telescopic slides incl. adapter brackets
- Mounting material

### ■ How supplied

pre-assembled

Item	Max. Load	d	Order No.	UP
19" Shelf, fully retractable	40 kg	515 – 766,5	<b>01.350.931.1</b>	1 set



MIR00373

## 19" Shelf, 2 U Fixed

- Installed in racks with fixed 19" components, front.
- Quick and easy mounting on 19" extrusions.
- Also for swing frame in the 19" rack and 19" enclosure.

### ■ Color

RAL 7035 light-grey

### ■ Material

Sheet steel, 1,5 mm

### ■ Load rating

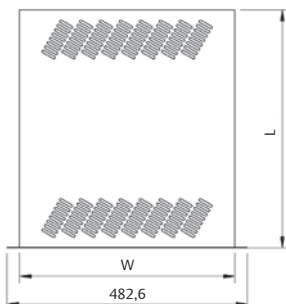
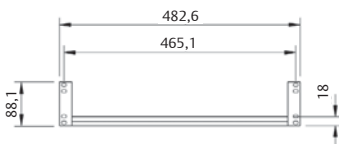
200 N static

### ■ Supply schedule

- 1 x shelf, fixed
- 1 x Mounting kit

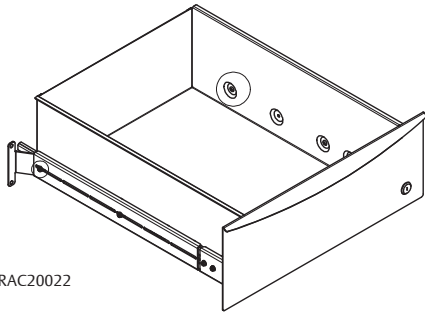
### ■ How supplied

In sets



MIR00375

W	H	WxL	Order No.	UP
482,6	88,1	442 x 280	<b>01.113.736.1</b>	1 unit
482,6	88,1	442 x 380	<b>01.113.737.1</b>	1 unit



RAC20022

## 19" Drawer with Lock

- For installation in 19" racks with vertical profiles in the front and rear
- Fully retractable with „auto-hold“
- Tool-less removable

### ■ Dimensions

- Usable width: 375 mm
- Height: 1 HU - 4 HU
- Usable depth: 500mm

### ■ Material

Shelf, sheet steel 1,0mm (1,5 mm Front cover), powder coated

### ■ Color

RAL7035 light grey

### ■ Installation depth

515 – 766,5 mm

### ■ Supply schedule

- 1 Drawer with lock
- 1 Pair of telescopic slides incl. mounting adapter
- Mounting material

### ■ How supplied

pre-assembled

Item	Max. Load	d	Order No.	UP
19" Drawer 1HE	10 kg	515 - 766,5	<b>01.350.921.1</b>	1 unit
19" Drawer 2HE	25 kg	515 - 766,5	<b>01.350.922.1</b>	1 unit
19" Drawer 3HE	25 kg	515 - 766,5	<b>01.350.923.1</b>	1 unit
19" Drawer 4HE	25 kg	515 - 766,5	<b>01.350.924.1</b>	1 unit



SCH00058

## 19" Drawer for Front Installation

- For installation in 19" racks with vertical profiles in the front
- For storage of service documents
- Quick and easy installation

### ■ Material

sheet steel, powder coated

### ■ Color

RAL7035 light grey

### ■ Load rating

15 kg (static)

### ■ Supply schedule

- 1 19" drawer with lock
- 1 Pair of telescopic slides
- Mounting material

### ■ How supplied

pre-assembled

W	H	HU	Order No.	UP
482,6	43,6	1	<b>01.102.048.1-001</b>	1 unit
482,6	88,1	2	<b>01.102.048.1-002</b>	1 unit
482,6	132,5	3	<b>01.102.048.1-003</b>	1 unit

Dimensions in mm: W= Width  
H = Height  
D = Depth  
h = Installation height  
d = Useful depth  
L = Length

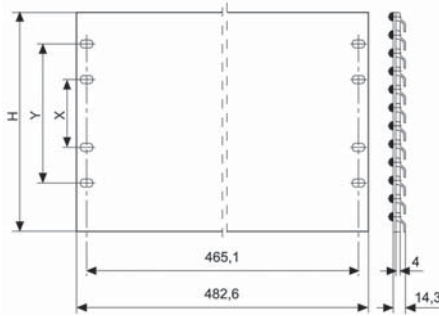
HU = Standard height unit, 1 HU = 44.45 mm  
19" = 482.6 mm,  
UP = Unit of packaging

Conversion: 1 inch = 25,4 mm  
1 pound = 453,6 g

Replace „x“ with the number of your color choice



LUF00217



MEC20110

## 19" Ventilation Front Panel

Provides additional ventilation for 19" racks and 19" plinths compliant with IEC 297

**Material**  
Aluminum

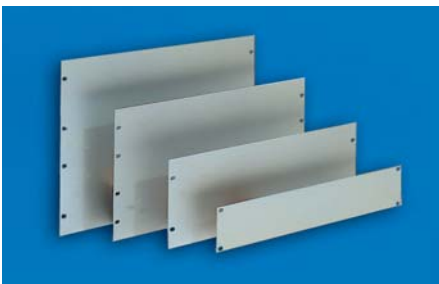
**Finish**  
– Final digit of order number .1:  
powder-coated, RAL 7035 light-grey  
– Final digit of order number .6:  
colorless anodized E 6 / EV 1

**Supply schedule**  
1 x ventilation front plate

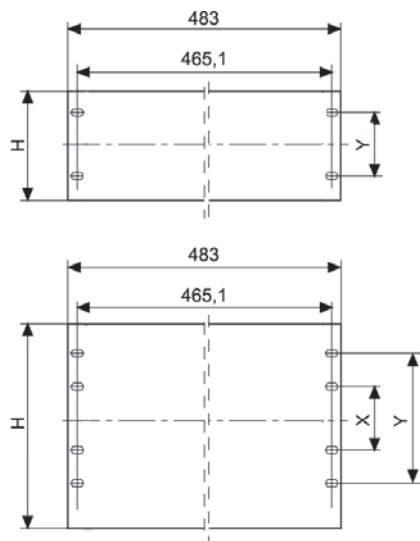
**How supplied**  
Single items

**Note**  
Please also order the appropriate mounting kit for the front plates

H	Y	U	Model	Order No.	UP
43,6	31,7	1	Powder-coated, RAL 7035	02.008.101.1	1 unit
43,6	31,7	1	Anodized	02.008.101.6	1 unit
132,5	57,1	3	Powder-coated, RAL 7035	02.008.103.1	1 unit
132,5	57,1	3	Anodized	02.008.103.6	1 unit



FR000005



MEC20109

## 19" Front Plate Aluminum 3 mm

**Material / Finish**  
– Final digit of order number .0:  
AlMg3 - F23 polished with lamination sheet.  
– Final digit of order number .1:  
AlMg3 - F23, powder-coated, RAL 7035, light-grey.  
– Final digit of order number .6:  
AlMg3 - F23 EB (anodize-enabled), anodized E6/EV1.  
– Final digit of order number .8:  
AlMg3 - F23, powder-coated, RAL 7021, dark-grey

**Supply schedule**  
1 x 19" front plate

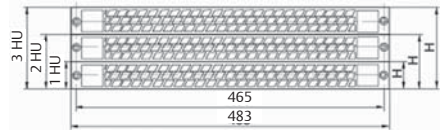
**How supplied**  
Single items

**Note**  
Please also order the appropriate mounting kit for the front plates

H	X	Y	U	Model	Order No.	UP
43,6		31,7	1	Polished	02.008.021.0	1 unit
88,1		76,2	2	Polished	02.008.022.0	1 unit
132,5		57,1	3	Polished	02.008.023.0	1 unit
177		101,6	4	Polished	02.008.024.0	1 unit
265,9	76,2	190,4	6	Polished	02.008.026.0	1 unit
43,6		31,7	1	Powder-coated, RAL 7035	02.008.021.1	1 unit
88,1		76,2	2	Powder-coated, RAL 7035	02.008.022.1	1 unit
132,5		57,1	3	Powder-coated, RAL 7035	02.008.023.1	1 unit
177		101,6	4	Powder-coated, RAL 7035	02.008.024.1	1 unit
265,9	76,2	190,4	6	Powder-coated, RAL 7035	02.008.026.1	1 unit
43,6		31,7	1	Powder-coated, RAL 7021	02.008.021.8	1 unit
88,1		76,2	2	Powder-coated, RAL 7021	02.008.022.8	1 unit
132,5		57,1	3	Powder-coated, RAL 7021	02.008.023.8	1 unit
43,6		31,7	1	Anodized	02.008.071.6	1 unit
88,1		76,2	2	Anodized	02.008.072.6	1 unit
132,5		57,1	3	Anodized	02.008.073.6	1 unit
177		101,6	4	Anodized	02.008.074.6	1 unit
265,9	76,2	190,4	6	Anodized	02.008.076.6	1 unit



LUF88006



LUF00093

## 19" Vented Front Cover Plate

Provides additional ventilation for 19" racks and 19" plinths compliant with IEC 297

### Material / Color

- Final digit of order number .1:  
ABS (UL 94 V0), light-grey RAL 7035
- Final digit of order number .9:  
ABS (UL 94 V0), black RAL 9011

### Supply schedule

- 1 x vented front cover plate
- 2 x connectors

### How supplied

In sets

### Note

Please also order the appropriate mounting kit for the front plates

W	H	U	Order No.	UP
483	43,6	1	02.008.111.1	1 unit
483	43,6	1	02.008.111.9	1 unit



MEC20144



MEC20149

## Cover-plate Filter for 19" vented front cover plate

Used with 19" vented front cover plate

### Material / Color

Non-woven and screen cloth

### Supply schedule

- 1 x cover-plate filter
- 1 x Mounting kit

### How supplied

In sets

U	Order No.	UP
1	02.008.131.9	1 unit



MEC20027

## Document Holder

- Self-adhesive; for higher loads use 6 mm holes
- For DIN A4 documents

### Material

High-impact Polystyrol

### Color

Grey

### Supply schedule

1 x document holder

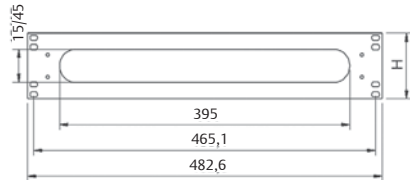
W	L	D	Order No.	UP
264	236	30	05.016.045.0	1 unit

Dimensions in mm: W= Width  
H = Height  
D = Depth  
h = Installation height  
d = Useful depth  
L = Length  
HU = Standard height unit, 1 HU = 44.45 mm  
19" = 482.6 mm,  
UP = Unit of packaging

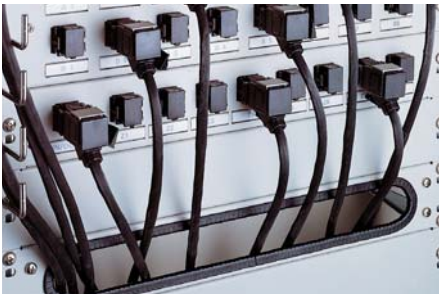
Conversion: 1 inch = 25,4 mm  
1 pound = 453,6 g  
Replace „x“ with the number of your color choice



CUD00021



CUD00023



CUD00022

## 19" Blanking Panel, Cable Port threaded connection

- For organized cable management inside the rack.
- With edge protector

**Material**  
Sheet steel, 1.0 mm

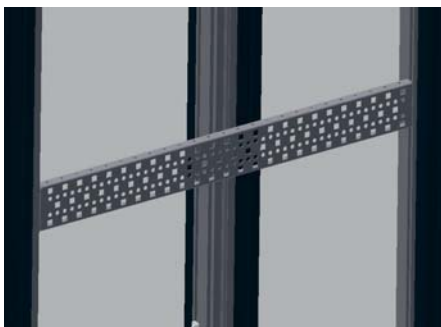
- Finish**
- Final digit of order number .1: powder-coated texture, RAL 7035, light grey.
  - Final digit of order number .8: powder-coated texture, RAL 7021 dark-grey

**Supply schedule**  
6 x QuickFix 19" blanking panel cable ports

**How supplied**  
In sets

**Note**  
Please also order mounting kit for front panel

W	H	U	Order No.	UP
483	44	1	01.103.231.X	6 units
483	88	2	01.103.232.X	3 units



RAC20023

## Multifunctional Rail

- For cabling guiding and fixation with cable ties
- Universal fixation possibilities with holes for cage nut installation
- Flexible distance between 2 multi-rails by installation with T-Slot system

**Installation position**  
in depth at the 19" vertical profiles

**Material**  
sheet steel 1,5 mm

**Surface**  
Zinc coated

**Supply schedule**  
1 Multifunctional rail

d	Order No.	UP
715	01.331.784.7	1 unit
740	01.331.785.7	1 unit
765	01.331.786.7	1 unit



ELM00025

## Cable Routing Ring

- For organized cable management.
- Open version, no threading
- Secured on the T-slots of the vertical extrusions
- Any installation position selectable

**Material / Finish**  
PA 6, GF 15, black, UL 94-HB

**Supply schedule**  
- 5 x cable routing rings  
- 1 x Mounting kit

**How supplied**  
In sets

Model	Order No.	UP
54 x 118 mm	01.312.207.9	5 units



MEC20185

## Cable Routing QuickStrip

- For organized cable management
- Dimension:  
Outside 61 mm x 42,5 mm  
Inside 52 mm x 23 mm

**Material**  
PA 6, GF30, grey

**Supply schedule**  
10 QuickStrip cable routing ties

**How supplied**  
In sets

**Note**  
Please order mounting material separately

Model	Order No.	UP
QuickStrip	00.218.506.0	10 units



ELM00049

## Cable Band Clip

- For organized cable management
- For securing harnesses and cables with large cross sections
- Quick and easy mounting
- Clips into T-slots in any position
- Includes releasable clip

**Material**  
PA 6.6, black, UL 94-V0

**Supply schedule**  
20 units

**How supplied**  
In sets



ELM00050

Order No.	UP
01.240.548.9	20 units



MEC20154

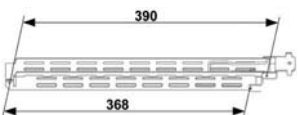
## Cable Cantilever

- Easy mounting in rack /on the shelf; easy connection/disconnection from shelf or rack with a spring clip
- Guarantees defined and kink-free cable management
- Minimum space requirement at the back of shelves: 40 mm

**Material / Finish**  
Sheet steel, 1,5 mm, zinc passivated

**Supply schedule**  
- 1 x cable cantilever  
- 1 x Mounting kit

**How supplied**  
In sets



MEC88005

Type	Order No.	UP
2-piece	05.040.096.0	1 unit



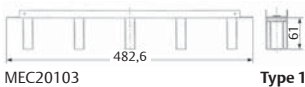
MEC00110

Type 1



MEC20014

Type 2



MEC20103

Type 1



MEC20104

Type 2

## 19" Cable Routing Board 1 U

- For orderly cable routing
- Enables safe and secure cable routing of copper and fiberglass cables

### Material / Finish

- Type 1: Front plate, sheet steel, 1.5 mm, powder coated.
- Type 2: Front plate, sheet steel, 1.0 mm, powder coated

### Color

- Final digit of order number .1: RAL 7035, light grey.
- Final digit of order number .8: RAL 7021 dark-grey

### External dimensions

Cable routing:

- Type 1: 55 x 22 mm, plastic
- Type 2: 95 x 32 mm, steel

### Supply schedule

- 1 x 19" front plate
- 5 x cable routers

### How supplied

Pre-assembled

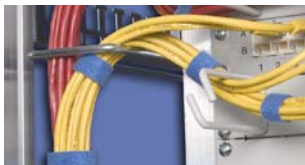
### Note

Please also order mounting material for front plates

W	U	Jumpering space	Model	Order No.	UP
483	1	from 80 mm	Type 1	05.040.111.X	1 unit
483	1	from 123 mm	Type 2	01.117.144.X	1 unit



MEC20048



MEC20147

## Velcro Rolls (by the meter)

- For strain-free fastening and bundling of Cu and fiber optic cables
- Velcro rolls can be cut to any required length

### Material / Color

- Black, One-Wrap fastener
- F.R.T., UL 94-V2
- Blue: One-Wrap fastener

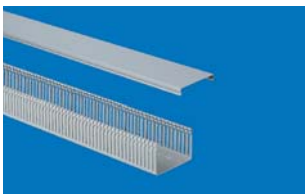
### Supply schedule

1 meter or 25 meters Velcro rolls

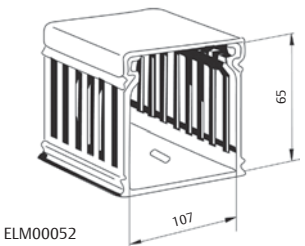
### How supplied

Sold by the meter

W	L	Model	Order No.	UP
16	1000	Black	05.040.060.9	1 meter
16	1000	Blue	05.040.061.9	1 meter
16	25000	Black	05.040.065.9	25 meters
16	25000	Blue	05.040.066.9	25 meters



ELM00004



ELM00052

## Cable Duct

Ideal for organized and covered cable management of jumper cables

### Material

Hard PVC

### Finish

Stone-grey RAL 7030

### Supply schedule

- 1 x cable duct with cover
- 1 x Mounting kit

L	Order No.	UP
2000	01.117.098.3	1 unit

Dimensions in mm: W= Width  
H = Height  
D = Depth  
h = Installation height  
d = Useful depth  
L = Length

HU = Standard height unit, 1 HU = 44.45 mm  
19" = 482.6 mm,  
UP = Unit of packaging

Conversion: 1 inch = 25,4 mm  
1 pound = 453,6 g

Replace „x“ with the number of your color choice



MIR00096

## C extrusion Rail

Cables secured with U-clamps or cable clamping bars

**Supply schedule**  
1x C extrusion rail

W	L	Ausführung	Order No.	UP
19"	508	Pos. 2: Miracel/Smaract/Doubleprorack	01.110.719.9	1 unit



MIR00096

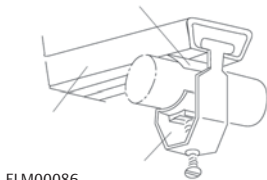
## U Clamp

- Reduces cabling strain and permits individual routing of cables and lines  
- Clamping range, 8-64 mm

**Supply schedule**  
- 25 x U clamps  
- 25 x clamping saddles

**Material**  
Steel / plastic

**How supplied**  
In sets



ELM00086

Clamping range	Order No.	UP
8-12 mm	05.040.150.9	1 unit
12-16 mm	05.040.151.9	1 unit
16-22 mm	05.040.152.9	1 unit
22-28 mm	05.040.154.9	1 unit
34-40 mm	05.040.155.9	1 unit
46-52 mm	05.040.157.9	1 unit



MEC20051

## M5 Threaded Plate

Used with C extrusion rails

**Supply schedule**  
20 x threaded plates

**Material / Finish**  
Flat rolled steel, 4.0 mm, zinc passivated.

**How supplied**  
In sets

Order No.	UP
05.040.077.9	1 set



MEC00114

## Cable Clamping Bar

Clips onto the C extrusion rail

**Supply schedule**  
1 set of 10 cable clamping bars

**Material**  
Polyamide, black

**How supplied**  
In sets

Order No.	UP
01.130.869.9	10 units





HEI00379



HEI20282

## Distribution Box

- For mounting trade-standard installation technology DIN rail components, such as fuses, clamps, relays, etc.
- When installed, the mounting level can be pulled out at the front and locked in position, significantly simplifying the wiring of the individual components. Not available for "fixed installation" model. Up on request: Delivered assembled and wired. Further versions and models up on request.
- Installation space for up to 22 pieces of equipment with 18 mm width each.
- Mounting of the TS35 DIN rail on several levels with simple plug-in connection. Not available for "fixed installation" model.
- „Snap-in“ mounting of DIN rail components.
- Easy access to the protective grounding and neutral conductor rails from the front.
- Various positioning options available for N and PE rails. Not available for "fixed installation" model.
- Cable entry at the rear via double brush strip (optionally via bushing sockets).
- Cable strain relief on the inside and therefore accessible from the front.
- Labeling strips on the front, above and below the installation space.
- Installation options available for power distribution with 230 V AC, but also in the low-voltage range (e.g. 48 V DC).
- 19" slot-in, 3 U, depth 150 mm.

### Material / Finish

- Panels powder-coated texture, RAL 7035 light-grey.
- Main unit, sheet steel, zinc-passivated

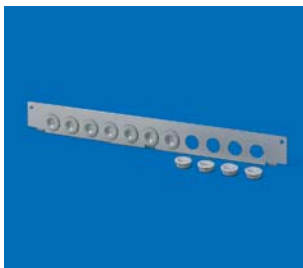
### Supply schedule

- 1 x distribution box
- Including N and PE rails, cable entry, cable strain relief, empty panel covers and grounding set

### How supplied

Fully assembled

W	H	D	U	19"	Model	Order No.	UP
482,6	134	150	3	•	Pull-out	03.013.385.1	1 unit



HEI00234

## Cable Ports

Alternative to cable entry via brush strip with mounting of distribution box in open racks

### Material/finish

Sheet steel, zinc-passivated

### Supply schedule

- 1 cable port panel
- 11 bushing sockets
- Mounting material

W	H	D	Model	Order no.	UP
				03.013.386.1	1 unit

Dimensions in mm: W= Width  
H = Height  
D = Depth  
h = Installation height  
d = Useful depth  
L = Length  
HU = Standard height unit, 1 HU = 44.45 mm  
19" = 482.6 mm,  
UP = Unit of packaging

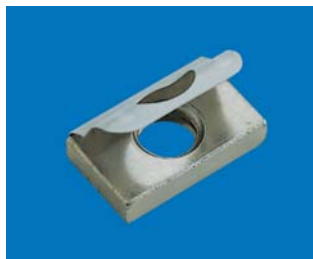
Conversion: 1 inch = 25,4 mm  
1 pound = 453,6 g  
Replace „x“ with the number of your color choice



MEC20129



MEC20130



MEC00060



MEC20140



MEC20141

## Front Panel Mounting Kit, T-slot, M5 wide

For mounting 19" front panels and 19" components

### Supply schedule

#### Type 1:

50 spring nuts, M5 wide  
50 oval head screws, Z-form, M5 x 10

#### Type 2:

50 spring nuts, M5 wide  
50 countersunk screws, M5 x 12  
50 rosettes

### How supplied

Flat-packed kit

W	H	D	Model	Order no.	UP
			Type 1: Z-form screw	05.041.335.9	1 set
			Type 2: Screw+rosette	05.041.340.9	1 set

## Spring Nut

For clipping into T-slots at any position

### Supply schedule

50 spring nuts

#### Type 1: M5 wide

T-nut size: 10 x 13 mm

#### Type 2: M5 narrow

T-nut size: 8 x 13 mm

#### Type 3: M6

T-nut size: 10 x 13 mm

### How supplied

Flat-packed kit

W	H	D	Model	Order no.	UP
			Typ 1: M5 breit	01.350.431.9	1 set
			Typ 2: M5 schmal	05.041.503.9	1 set
			Typ 3: M6	01.350.405.9	1 set

## Oval Head Screw

IEC DIN 967

### How supplied

Flat-packed kit

### Supply schedule

50 oval head screws, Z-form

W	H	D	Model	Order no.	UP
			M5 x 10	05.041.330.9	1 set
			M5 x 16	05.041.331.9	1 set
			M6 x 10	05.041.332.9	1 set
			M6 x 16	05.041.333.9	1 set

## Countersunk Screw + Rosette

- IEC DIN EN ISO 7047

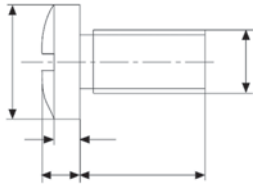
### How supplied

Flat-packed kit

### Supply schedule

50 countersunk screws  
50 rosettes

W	H	D	Model	Order no.	UP
			M5 x 12	05.041.203.9	1 set
			M5 x 16	05.041.290.9	1 set



MEC00014

## Oval Head Screw With Phillips head

IEC DIN EN ISO 7045

**Supply schedule**  
1 set of 50 units

W	H	D	L	Model	Order no.	UP
			8	M 4 no washer	05.041.607.8	1 set
			8	M 5 no washer	05.041.611.8	1 set
			12	M 4 no washer	05.041.609.8	1 set
			12	M 5 with washer	05.041.613.8	1 set
			16	M 5 with washer	05.041.614.8	1 set
			16	M 6 with washer	05.041.616.8	1 set



MIR00121

## Cylinder Screw M6 x 10 self-securing

**Supply schedule**  
1 set of 100 units

Order no.	UP
01.350.402.9	100 units

## Phillips Head Screw With washer

**Supply schedule**  
1 set of 100 units

Order no.	UP
01.350.401.9	100 units



MEC20139

## Cage Nut

- For clipping into extrusions with mounting holes
- **Type 1:** Plate, 1,5 mm for Dacobas Rack/Miracel / Smaract /ConAct / SoHo.
- **Type 2:** Plate, 2,5 mm for Miracel Server /Smaract Server/ DoubleProRack mounting holes

**Supply schedule**  
50 x cage nuts

**How supplied**  
In sets

Model	Order No.	UP
M5: Type 1: Plate, 1,5 mm	05.041.513.7	1 set
M5: Type 2: Plate, 2,5 mm	05.041.518.7	1 set
M6: Type 1: Plate, 1,5 mm	05.041.514.7	1 set
M6: Type 2: Plate, 2,5 mm	05.041.519.7	1 set

Dimensions in mm: W= Width  
H = Height  
D = Depth  
h = Installation height  
d = Useful depth  
L = Length  
HU = Standard height unit, 1 HU = 44.45 mm  
19" = 482.6 mm,  
UP = Unit of packaging

Conversion: 1 inch = 25,4 mm  
1 pound = 453,6 g  
Replace „x“ with the number of your color choice

## Ergonomically designed products and solutions from a single source

The **Knürr Technical Furniture** manufactures and develops workstations for electronics labs and mobile equipment carriers for healthcare and automotive industries. Furthermore Knürr Technical Furniture is the specialist for height adjustable control room workstations.

Learn more about Knürr Technical Furniture products and services at [www.technical-furniture.com](http://www.technical-furniture.com)

**Knürr Technical Furniture is a Vertiv Co. Company**

### **Knürr Technical Furniture GmbH**

Mariakirchener Straße 38  
94424 Arnstorf  
Germany  
T +49 8723 28 0  
F +49 8723 28 138  
furniture@knuerr.com  
[www.technical-furniture.com](http://www.technical-furniture.com)

### **Vertiv™**

Global Headquarters  
1050 Dearborn Drive  
P.O. Box 29186  
Columbus, OH 43229, USA  
T +1 614 8880246  
[www.vertivco.com](http://www.vertivco.com)

While every precaution has been taken to ensure accuracy and completeness herein, Knürr Technical Furniture and Vertiv Co assumes no responsibility, and disclaims all liability, for damages resulting from use of this information or for any errors or omissions. Specifications subject to change without notice.

Knürr and the Knürr logo, are trademarks and service marks of Vertiv Co. or one of its affiliated companies. ©2016 Vertiv Co. All rights reserved.